



Cell 647 763 9173 | Bus 416 846 11
 20 STRATHEARN AVE BRAMPTON ON L6T 4P7 UNIT
 info@signsdepot.com

PROJECT

REMAX

Jacqueline Pennington

DRAWING TITLE

DESIGNS

DRAWN BY

Aaspreet Kaur

SCALE

AS SHOWN

DATE

November 21st, 23

DRAWING NO.

RE-01





Cell 647 763 9173 | Bus 416 846 11
20 STRATHEARN AVE BRAMPTON ON L6T 4P7 UNIT
info@signsdepot.com

PROJECT

REMAX
Jacqueline Pennington

DRAWING TITLE

DESIGNS

DRAWN BY

Aaspreet Kaur

SCALE

AS SHOWN

DATE

November 21st, 23

DRAWING NO.

RE-02





Cell 647 763 9173 | Bus 416 846 11
 20 STRATHEARN AVE BRAMPTON ON L6T 4P7 UNIT
 info@signsdepot.com

PROJECT

REMAX

Jacqueline Pennington

DRAWING TITLE

DESIGNS

DRAWN BY

Aaspreet Kaur

SCALE

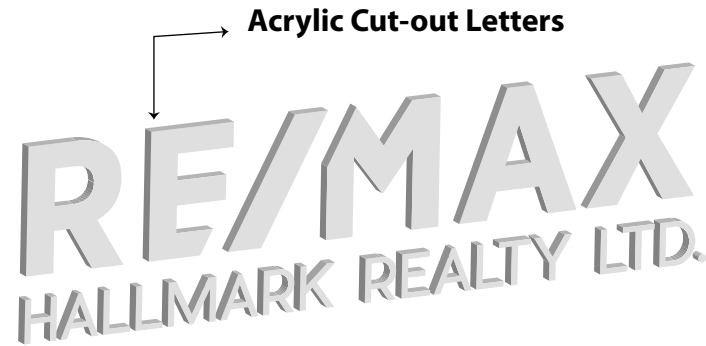
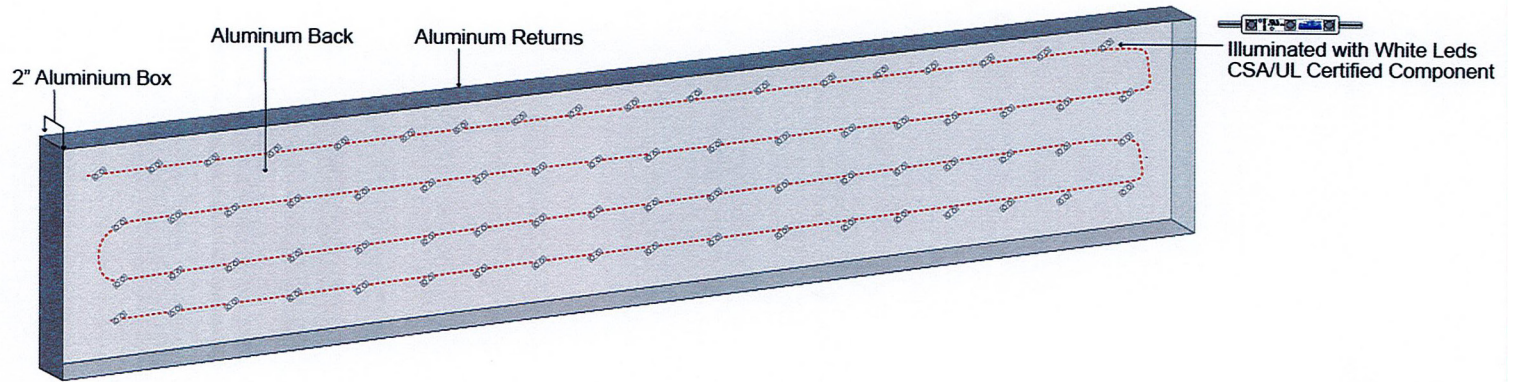
AS SHOWN

DATE

November 21st, 23

DRAWING NO.

RE-03





Illuminated Raised Sign

Cell 647 763 9173 | Bus 416 846 11
20 STRATHEARN AVE BRAMPTON ON L6T 4P7 UNIT
info@signsdepot.com

PROJECT

REMAX

Jacqueline Pennington

DRAWING TITLE

DESIGNS

DRAWN BY

Aaspreet Kaur

SCALE

AS SHOWN

DATE

November 21st, 23

DRAWING NO.

RE-04





Cell 647 763 9173 | Bus 416 846 11
 20 STRATHEARN AVE BRAMPTON ON L6T 4P7 UNIT
 info@signsdepot.com

PROJECT

REMAX
Jacqueline Pennington

DRAWING TITLE

DESIGNS

DRAWN BY

Aaspreet Kaur

SCALE

AS SHOWN

DATE

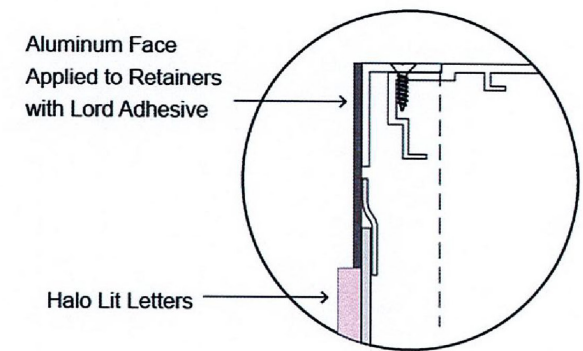
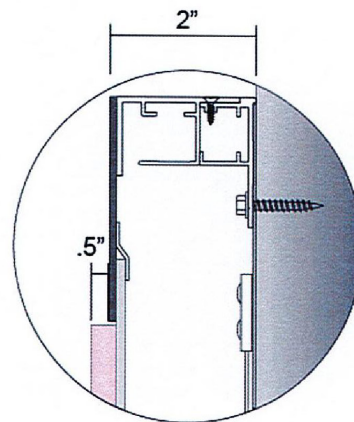
November 21st, 23

DRAWING NO.

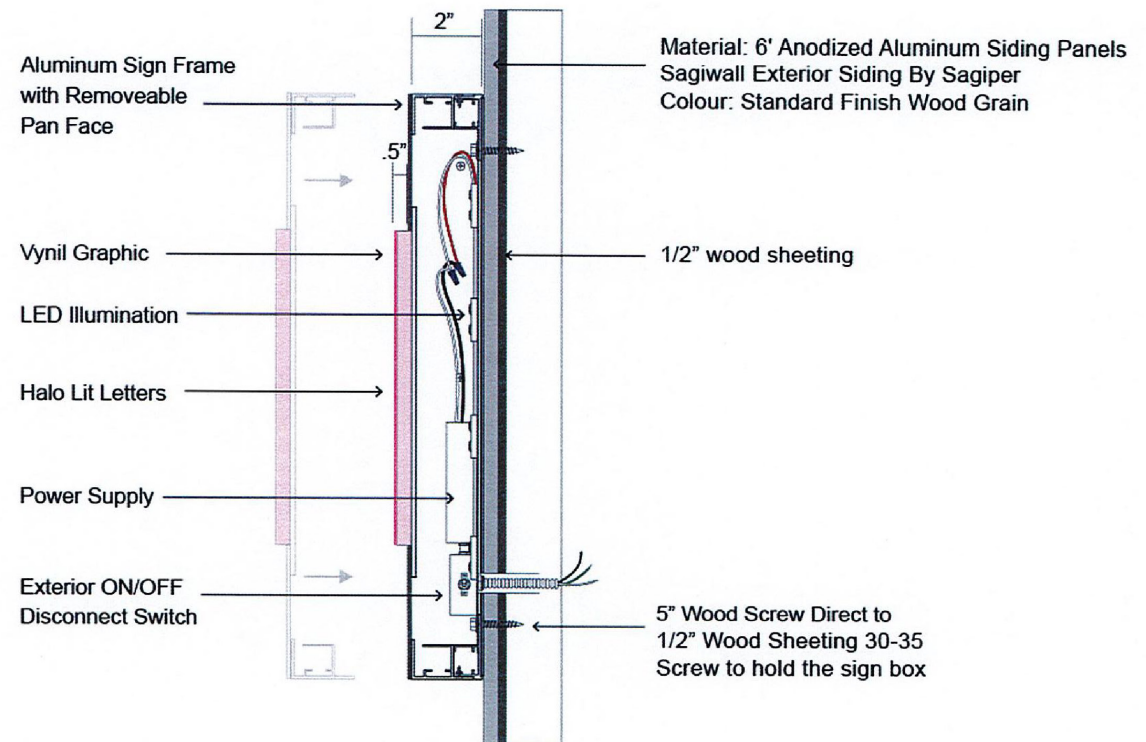
RE-05

CROSS SECTION WALL / CANOPY CONSTRUCTION

Frame Detail



Side Detail



Material: 6' Anodized Aluminum Siding Panels
 Sagiwall Exterior Siding By Sagiper
 Colour: Standard Finish Wood Grain

1/2" wood sheeting

5" Wood Screw Direct to
 1/2" Wood Sheeting 30-35
 Screw to hold the sign box